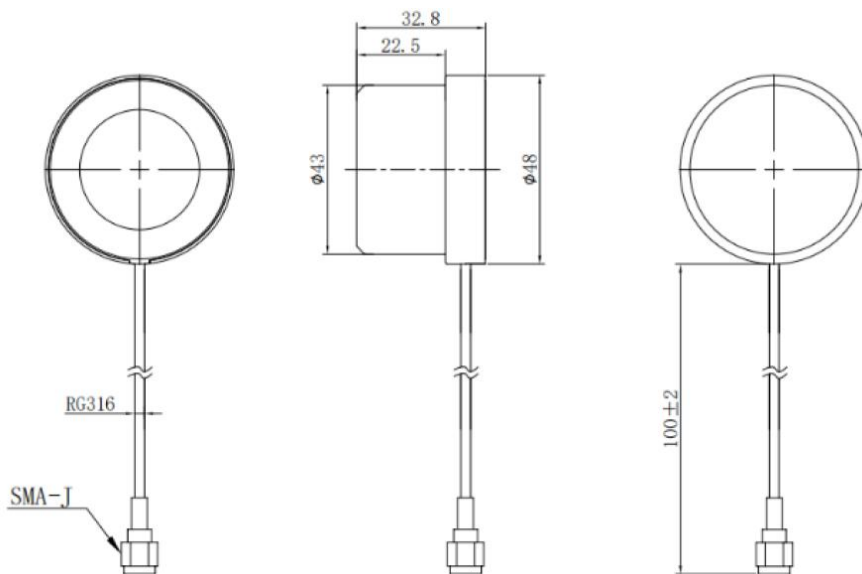


Features:

- Active Quadrifilar Helix antenna for RTK applications
- Rugged **IP67** rating with SMA mount
- Ground plane independent
- Supports GPS, GLONASS, Galileo, and BeiDou
- GIS, RTK and other high accuracy GNSS applications
- SMA connector
- Dimensions: **Ø48.0 x 33 mm**
- Weight: **25 gr.**

Reference: ELT0167



FREQUENCY RANGE

GPS	L1/L2/L5
GLONASS	G1/G2/G3
BeiDou	B1I/B1C/B2a/B2I/B2b/B3I
Galileo	E1/E5a/E5b

ELECTRICAL DATA

Voltage range	3.3 – 12 V
Typ current	<50 mA
Typ. LNA Gain	35 ± 3.0 dB
LNA Noise Figure	<2 dB
Max. Output VSWR	2.0
Polarization	RHCP
Phase center error	± 2 mm
Axial Ratio	≤3 dB

MECHANICAL DATA

Weight (Typ. without cable)	25 g
Dimensions	Ø48.0 x 33 mm
Mounting	Magnet mount
Housing color	black

ENVIRONMENTAL DATA

Operating temperature	-40 to +70 C
Storage temperature	-45 to +85 C
ESD circuit protection	±15 kV (IEC61000-4-2)
IP rating	IP67
Humidity	95%RH, 60 °C, 96 hours
Vibration	MIL-STD-810G, Method 514.7 Vibration