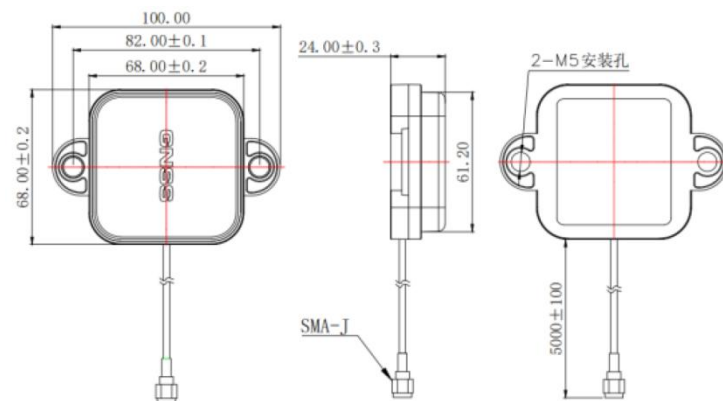


Features:

- High Gain internal LNA (33 dB typ.)
- Versatile mounting (magnet / screw / tape)
- Supports GPS, GLONASS, Galileo, and BeiDou
- Excellent out-of-band rejection
- SMA cable connector
- Dimensions: **100 x 68 x 24 mm** (without 5.0 m cable)
- Weight: **235 gr.**

Reference: **ELT0158**



FREQUENCY RANGE

GPS	L1/L2
GLONASS	L1/L2
BeiDou	B1/B1C/B2/B2B
Galileo	E1/E5b

ELECTRICAL DATA

Voltage range	3.3 – 12 V
Typ current	45 mA
Typ. LNA Gain	33 ± 2 dB
LNA Noise Figure	Max. 2 dB
Max. Output VSWR	Max. 2.0
Polarization	RHCP
Axial Ratio	≤ 3 dB

MECHANICAL DATA

Weight (Typ. incl. cable)	235 g
Dimensions	100 x 68 x 24 mm
Cable	RG174 5.0 m
Mounting	Magnetic base, 3M tape, screw mount 2 x M5 distance 82 mm
Housing color	black

ENVIRONMENTAL DATA

Operating temperature	-40 to +85 C
Storage temperature	-55 to +85 C
ESD circuit protection	±15 kV (IEC61000-4-2)
IP rating	IP67
Humidity	95%RH, 60 °C, 96 hours