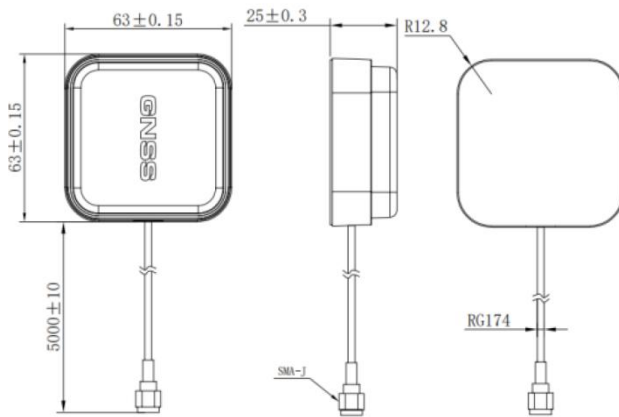




Features:

- High Gain internal LNA (33 dB typ.)
- Versatile mounting (magnet / tape)
- Supports GPS, GLONASS, Galileo, and BeiDou
- Excellent out-of-band rejection
- SMA cable connector
- Dimensions: 63 x 63 x 25 mm without cable (5.0 m)
- Weight: 173 g



Reference: ELT0157



FREQUENCY RANGE

GPS	L1/L2
GLONASS	L1/L2
BeiDou	B1/B1C/B2I/B2B
Galileo	E1/E5b

ELECTRICAL DATA

Voltage range	3.3 – 12 V
Typ current @ 5 V	45 mA
Typ. LNA Gain	33 ± 2.0 dB
LNA Noise Figure	Max. 2.0 dB
Max. Output VSWR	2.0
Polarization	RHCP
Axial ratio	≤3dB

MECHANICAL DATA

Weight (Typ. incl. cable)	220 g
Dimensions	63 x 63 x 25 mm
Cable	RG174 5.0 m
Mounting	Magnetic base, 3M Tape
Housing color	black

ENVIRONMENTAL DATA

Operating temperature	-40 to +85 C
Storage temperature	-55 to +85 C
ESD circuit protection	±15 kV (IEC61000-4-2)
IP rating	IP67
Humidity	95%RH, 60 °C, 96 hours
Vibration	MIL-STD-810G, Method 514.7 Vibration