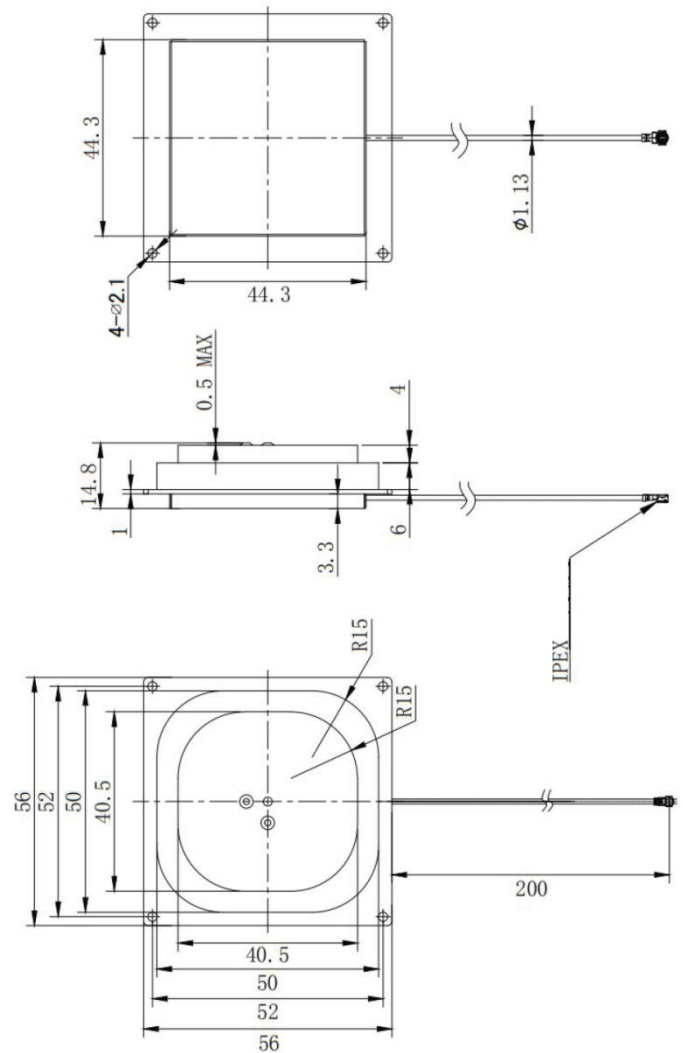




Features:

- Internal LNA with excellent Out-Of-Band rejection
- Supports GPS, GLONASS, Galileo, and BeiDou
- High Gain (38dB)
- U.FL (IPEX) cable connector
- Dimensions: 56 x 56 x 15 mm without cable (200 mm)
- Weight: 88 g

Reference: ELT0149



FREQUENCY RANGE

GPS	L1/L2/L5
GLONASS	G1/G2/G3
BeiDou	B1i/B1C/B2a/B2i/B2b/B3i
Galileo	E1/E5a/E5b/E6

ELECTRICAL DATA

Voltage range	3 – 18 V
Typ current	≤45 mA
Typ. LNA Gain	38 ± 3.0 dB
LNA Noise Figure	Max. 1.8 dB
Max. Output VSWR	2.0
Polarization	RHCP
Axial Ratio	≤ 3 dB

MECHANICAL DATA

Weight (Typ. incl. cable)	95 g
Dimensions	56 x 56 x 15 mm
Cable	RG113 200 mm
Mounting	screw mount

ENVIRONMENTAL DATA

Operating temperature	-40 to +85 C
Storage temperature	-40 to +85 C
ESD circuit protection	±15 kV (IEC61000-4-2)
IP rating	IP67
Humidity	40% - 95%
Vibration	MIL-STD-810G, Method 514.7 Vibration