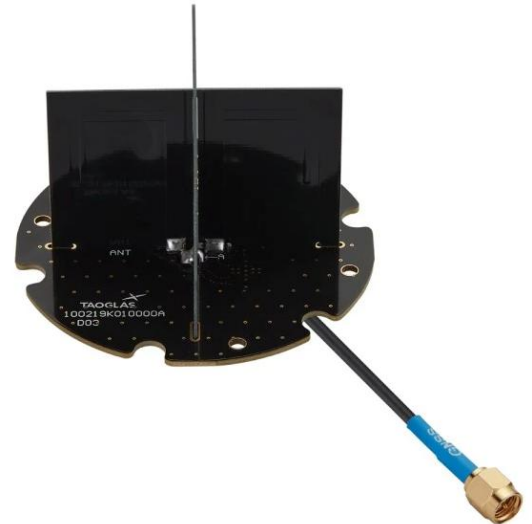
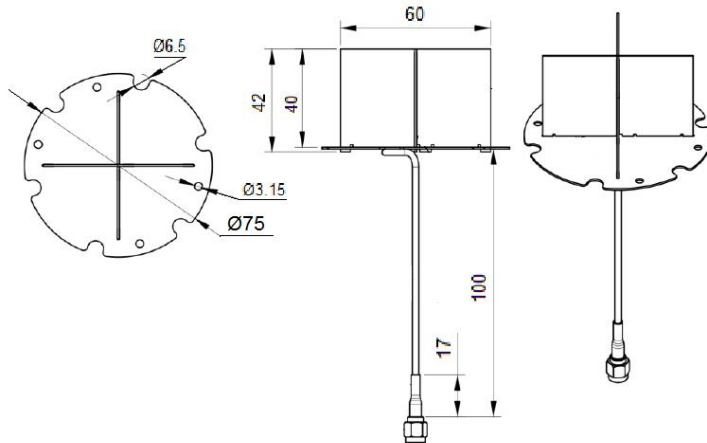




Features:

- Precision Positioning for Robotics
- Supports GPS, GLONASS, Galileo, and BeiDou
- Excellent Out-Of-Band rejection
- SMA connector
- Dimensions: Ø75 x 42mm without cable (100 mm)
- Weight: 31 g

Reference: ELT0148



FREQUENCY RANGE

GPS	L1/L2/L5
GLONASS	L1/L2/L3
BeiDou	B1I/B1C/B2a/B2b/B3
Galileo	E1/E5a/E5b/E6

ELECTRICAL DATA

Voltage range	1.8 – 5 V
Typ current @ 5 V	20 mA
Typ. LNA Gain	25 dB
LNA Noise Figure	Max. 4.3 dB
Max. Output VSWR	1.5
Polarization	RHCP
Axial Ratio	1 - 1.5 dB

MECHANICAL DATA

Weight (Typ. incl. cable)	31 g
Dimensions	Ø75 x 42mm
Cable	RG174 100 mm
Mounting	Screw mount
Housing color	black

ENVIRONMENTAL DATA

Operating temperature	-40 to +85 C
Storage temperature	-40 to +85 C
ESD circuit protection	±15 kV (IEC61000-4-2)
IP rating	IP67
Humidity	95%RH, 60 °C, 96 hours
Vibration	MIL-STD-810G, Method 514.7 Vibration
Anti-jamming	