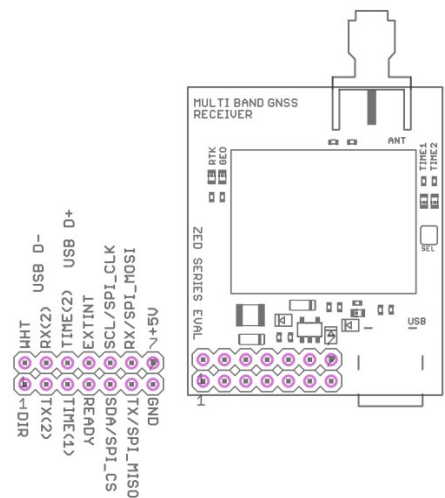


Features:

- On board low noise 3.3 V voltage regulator
- **USB, I2C** (SDA, SCL), **SPI** and two **UART** (Tx, Rx) interfaces
- **Mini USB** connector
- 14 pin holes connector
- **SMA** active antenna connector
- u-center Evaluation Software
- Extensive visualization and evaluation features
- Two time pulse LED, GEO LED, RTK LED
- Backup supercapacitor
- Dimensions: **36x30 mm** without SMA
- Weight: **11 gr.**

Reference: ELT0145



GNSS FEATURES

| | |
|---------------|--|
| Receiver type | 184-channel u-blox F9 engine Beidou, Galileo, GLONASS, GPS/QZSS, NavIC |
| GNSS platform | Concurrent GNSS |
| GNSS bands | L1C/A, L1OF, E1-B/C, B1I, B1C, L5, E5a, B2a, SPS-L5 |
| Oscillators | TCXO |

PERFORMANCE

| | | |
|-------------------------------|--------------------------------|--------|
| Accuracy of time pulse signal | Absolute timing mode | 5 ns |
| | Differential timing mode | 2.5 ns |
| Frequency of time pulse | 0.25 Hz to 25 MHz configurable | |
| Time pulse jitter | ±4 ns | |
| Time mark resolution | 8 ns | |
| Velocity accuracy | 0.05 m/s | |
| Dynamic heading accuracy | 0.3 deg | |

| Acquisition | Cold start | Hot start | Aided start | Navigation update rate |
|-----------------|------------|-----------|-------------|------------------------|
| GPS+GLO+GAL+BDS | 24 s | 2 s | 2 s | 8 Hz |
| GPS+BDS+GAL | 25 s | 2 s | 2 s | 10 Hz |
| GPS+GAL | 29 s | 2 s | 2 s | 15 Hz |
| GPS+GLO | 26 s | 2 s | 2 s | 15 Hz |
| GPS+BDS | 28 s | 2 s | 2 s | 12 Hz |
| GPS | 29 s | 2 s | 2 s | 20 Hz |

Horizontal position accuracy 1.5 m CEP

Sensitivity:

| | |
|-------------------------|----------|
| Tracking and Navigation | -167 dBm |
| Reacquisition | -160 dBm |
| Cold start | -148 dBm |
| Hot start | -157 dBm |

OTHER FEATURES

| | |
|-------------------------------|--|
| Anti-jamming | Active CW detection and removal Dual band onboard pass filter |
| Anti-spoofing | Advanced anti-spoofing algorithms |
| Security | Secure boot Secure firmware update |
| Memory | Flash |
| RAW data support | Carrier phase, code phase and pseudo-range, Doppler on all signals |
| Operating temperature | 0 °C to +50 °C |
| Supply voltage | 4.5 V to 5.5 V |
| Supply current | <130 mA (without external antenna) |
| External antenna requirements | Supply voltage 3.0 V Consumption current <50 mA |