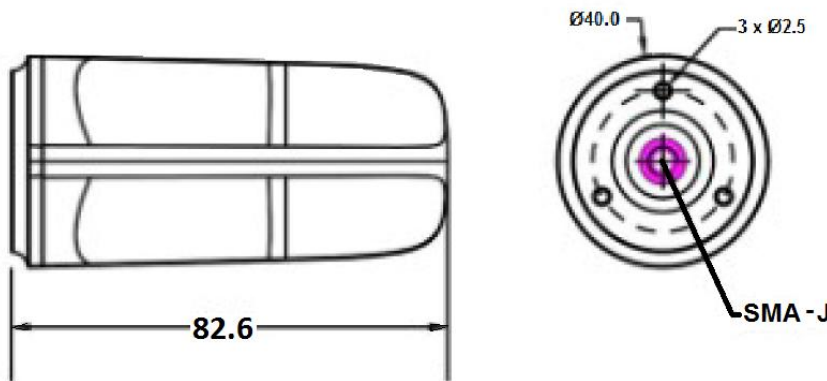




Features:

- Active Quadrifilar Helix antenna for RTK applications
- Rugged IP67 rating with SMA mount
- Ground plane independent
- Supports GPS, GLONASS, Galileo, and BeiDou
- GIS, RTK and other high accuracy GNSS applications
- SMA connector
- Dimensions: Ø40.0 x 83 mm
- Weight: 35 g

Reference: ELT0121



FREQUENCY RANGE	
GPS	L1/L2
GLONASS	G1/G2
BeiDou	B1I/B1C/B2I/B2b/B3I
Galileo	E1/E5b

ENVIRONMENTAL DATA	
Operating temperature	-40 to +80 C
Storage temperature	-45 to +85 C
ESD circuit protection	±15 kV (IEC61000-4-2)
IP rating	IP67
Humidity	95%RH, 60 °C, 96 hours
Vibration	MIL-STD-810G, Method 514.7 Vibration
Anti-jamming	

ELECTRICAL DATA	
Voltage range	3 – 18 V
Typ current	45 mA
Typ. LNA Gain	32 ± 2.0 dB
LNA Noise Figure	Max. 0.8 dB
Max. Output VSWR	2.0
Polarization	RHCP
Axial Ratio	≤ 2 dB

MECHANICAL DATA	
Weight	35 gr.
Dimensions	Ø40.0 x 82.6 mm
Mounting	SMA or screw mount
Housing color	black